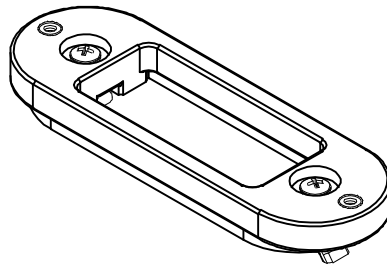
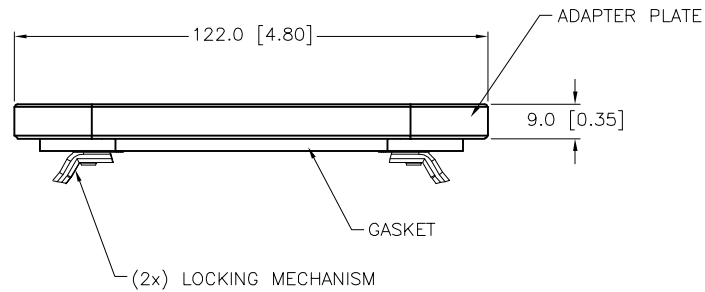
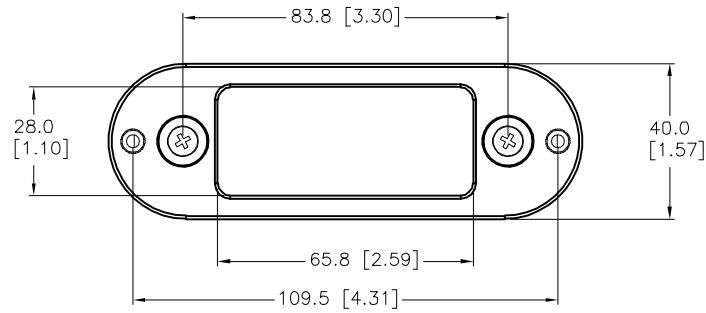


SPECIFICATIONS

ADAPTER PLATE MATERIAL/COLOR	NYLON/BLACK
GASKET MATERIAL	NEOPRENE
TEMPERATURE RATING	-40°C to +80°C (-40°F to +176°F)
PROTECTION CLASS	MEETS IEC IP67

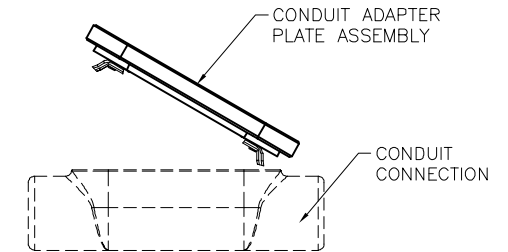


ISO VIEW

HOW TO ATTACH CONDUIT ADAPTER PLATE: (CONDUIT CONNECTION NOT INCLUDED)

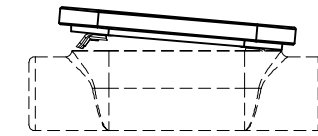
STEP 1:

TILT CONDUIT ADAPTER PLATE ASSEMBLY AT AN ANGLE (AS SHOWN) AND LOWER IN TO THE CONDUIT CONNECTION.



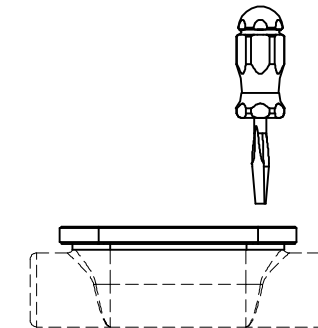
STEP 2:

MAKE SURE THE SIDE OF THE LOWER LOCKING MECHANISM IS AGAINST THE INNER SIDE OF THE OPENING OF THE CONDUIT JOINT. THEN ROTATE THE UPPER END OF THE CONDUIT ADAPTER PLATE ASSEMBLY DOWN INTO THE CONDUIT CONNECTION.



STEP 3:

USE A SCREWDRIVER TO LOCK THE CONDUIT ADAPTER PLATE ASSEMBLY INTO PLACE.



SOURCE DRAWING - FOR REFERENCE ONLY

RELATED DOCUMENTS		3RD ANGLE PROJECTION	THIS DRAWING IS CONFIDENTIAL AND THE PROPERTY OF TURCK INC. USE OF THIS DOCUMENT WITHOUT WRITTEN PERMISSION IS PROHIBITED.		3000 CAMPUS DRIVE MINNEAPOLIS, MN 55441 1-800-544-7769 (763) 553-7300 (763) 553-0708 fax www.turck.us	
1.			DRFT	RDS	DATE	DESCRIPTION
2.			APVD	MS	05/07/09	
3.		ALL DIMENSIONS DISPLAYED ON THIS DRAWING ARE FOR REFERENCE ONLY	UNIT OF MEASUREMENT		IDENTIFICATION NO.	
4.			MILLIMETER [INCH]			
MATERIAL		CONTACT TURCK FOR MORE INFORMATION	SCALE		REV	
SEE SPECIFICATIONS			1=2.0			
FINISH		DO NOT SCALE THIS DRAWING		A9534		
SEE SPECIFICATIONS				FILE: A9534		SHEET 1 OF 1

A	DRAWING RELEASE	TR	06/18/09	
REV	DESCRIPTION	BY	DATE	ECO NO.